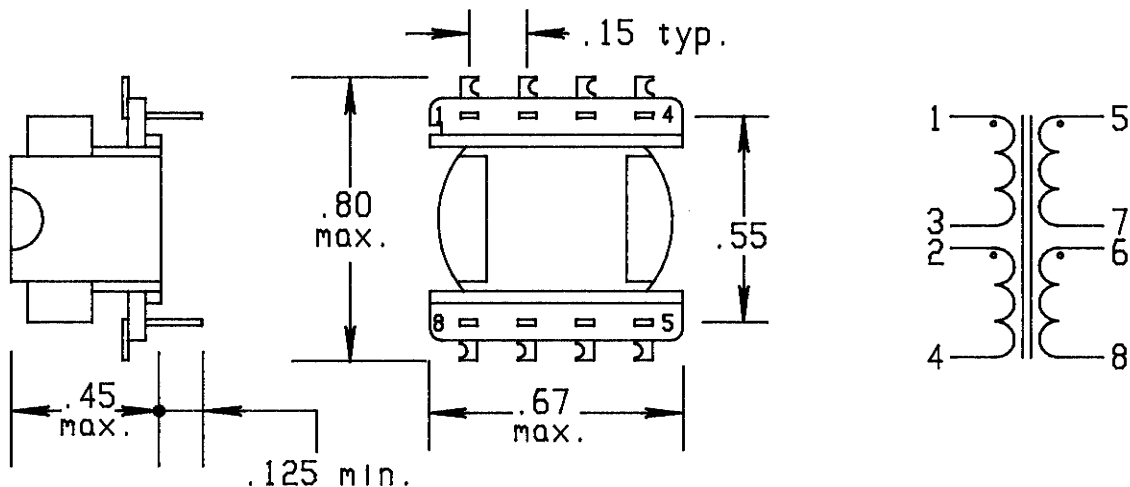


0505-0661

Thru-Hole Transformer Package
For
78 Kbps Twisted Pair Applications

Turns Ratio Pri to Sec: 1 to 2
Primary DC Resistance: 5.3 ohms max.
Secondary DC Resistance: 10.1 ohms max.
Primary Inductance: 35-60 mH
Dielectric Strength: 1500 VRMS
Operating Temp: -40 to 85 °C

DATA SUBJECT TO CHANGE WITHOUT NOTICE



TOLERANCES UNLESS OTHERWISE SPECIFIED .010"