

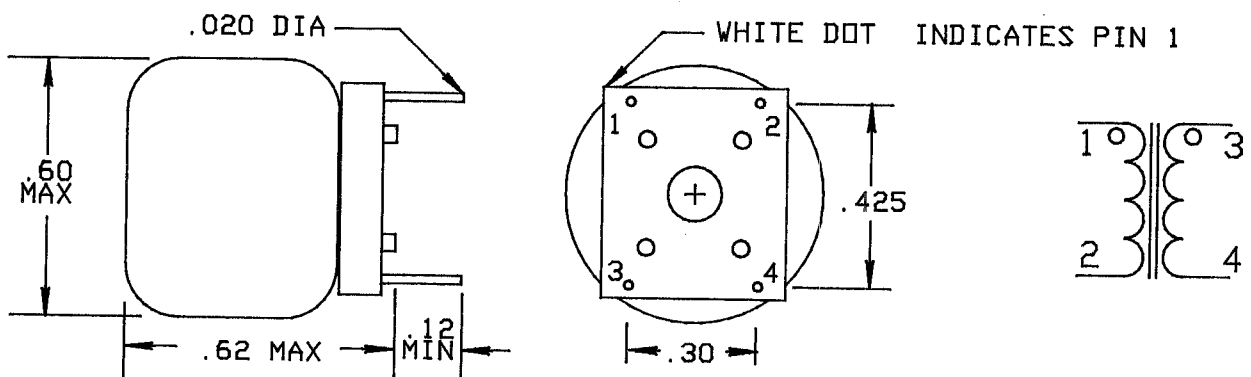
0505-0817

URNS RATIO: (1-2 : 3-4) = 2:1
DC RESISTANCE 1-2 < 1.0 ohm
DC RESISTANCE 3-4 < 0.5 ohm
INDUCTANCE, DRY 3-4: > 1.2mH
INDUCTANCE WITH 25 mADC 3-4: >1 mH
LEAKAGE INDUCTANCE 1-2: < 3.0 μ H
DIRECT CAPACITANCE: < 50pF
DISTRIBUTED CAPACITANCE: < 25pF
DIELECTRIC STRENGTH: 3000 VRMS
OPERATING TEMP: -40 to 85 ° C

DESIGNED TO MEET THE REQUIREMENTS OF UL1950,
UL916, UL508, & CSA22.2 No. 1950

THREE LAYERS OF INSULATION BETWEEN PRIMARY
AND SECONDARY WINDINGS

DATA SUBJECT TO CHANGE WITHOUT NOTICE



TOLERANCES UNLESS OTHERWISE SPECIFIED +/- .010"