



**PRECISION COMPONENTS INC.**

400 WEST DAVY LANE  
WILMINGTON, IL 60481 PH. 630-462-9110

HTTP://www.pci-transformers.com

FAX: 630-462-9901

# 0505-0821G

## Lead Free, RoHS Compliant Construction

**URNS RATIO: (1 - 4 : 8 - 5) = 1:1**  
**DC RESISTANCE 1 - 4 & 8 - 5 <0.35 Ω EACH**  
**INDUCTANCE, 0 - 30mADC > 0.75mH**  
**LEAKAGE INDUCTANCE: < 1.0μH**  
**DIRECT CAPACITANCE: <50pF**  
**DISTRIBUTED CAPACITANCE: <25pF**  
**DIELECTRIC STRENGTH: 3750VRMS**  
**(5000VRMS AVAILABLE UPON REQUEST)**  
**OPERATING TEMP.: -20° to 85°C**



E317421

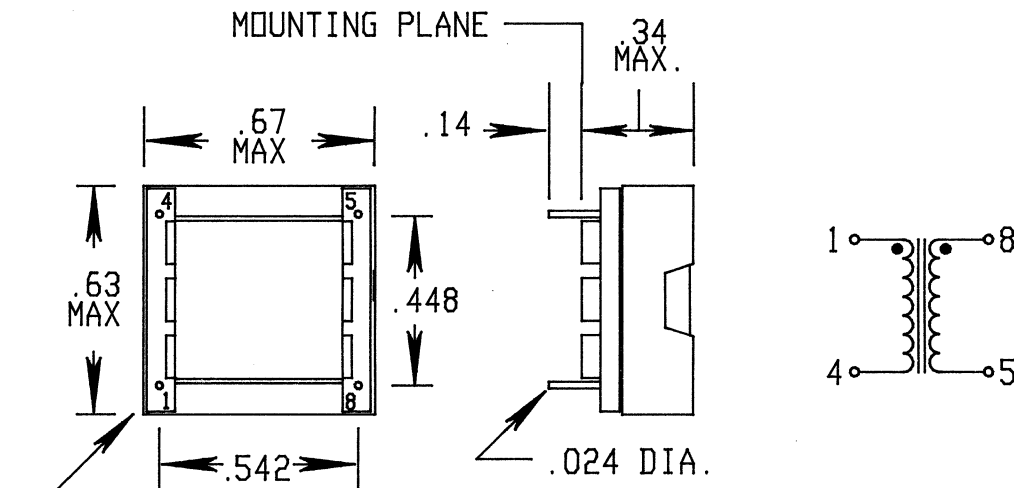
### MINIMUM THREE LAYERS OF INSULATION BETWEEN PRIMARY AND SECONDARY WINDINGS

PCI 0505-0821G transformer is designed specifically for use with Echelon's PL3120, PL3150 and PL3170 Power Line Smart Transceivers

It provides 3750VRMS isolation from the supply circuit and is a UL Recognized Component to the requirements of UL60950.

Echelon is a registered trademark of the Echelon Corporation.  
PL3120, PL3150 and PL3170 are trademarks of the Echelon Corporation.

DATA SUBJECT TO CHANGE WITHOUT NOTICE



LABEL INDICATES PIN 1 SIDE OF UNIT

UNLESS OTHERWISE INDICATED, ALL TOLERANCES ARE +/- .015